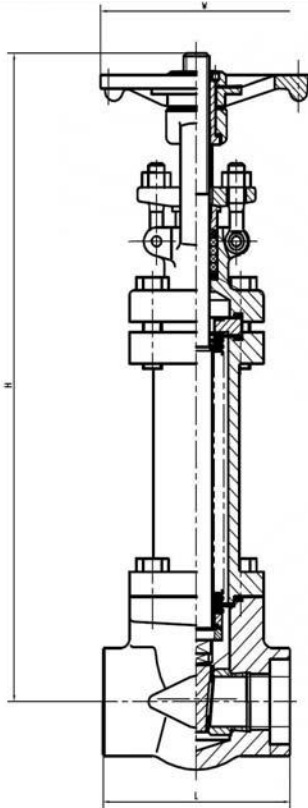




Bellows Sealed Valve

Gate Valve 800LB



Design and Manufacturing: ASME B16.34, API602

Construction Type: BB, OS&Y

WB, OS&Y

Construction Length: MFR'S STD

End Connection: ASME B16.11 SW

ASME B1.20.1 NPT

Body Material: ASTM A105

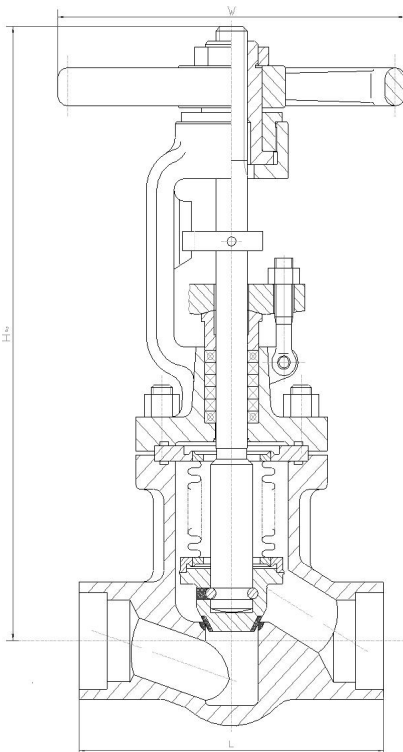
ASTM A350-LF2

Inspection and Testing: API598

Marking: MSS SP25

NPS	1/2	3/4	1	1-1/4	1-1/2	2
DN	15	20	25	32	40	50
L (mm)	79	92	111	120	120	140
H/open(mm)	236	258	308	350	406	472
W (mm)	125	125	125	160	160	180
Weight (kg)	2.9	3.2	5.9	8.7	10.2	16.0

Globe Valve 800LB



Design and Manufacturing: ASME B16.34, API602

Construction Type: BB, OS&Y

WB, OS&Y

Construction Length: MFR'S STD

End Connection: ASME B16.11 SW

ASME B1.20.1 NPT

Body Material: ASTM A105

ASTM A350-LF2

Inspection and Testing: API598

Marking: MSS SP25

NPS	1/2	3/4	1	1-1/4	1-1/2	2
DN	15	20	25	32	40	50
L (mm)	79	92	111	130	152	172
H/open(mm)	209	209	232	300	300	321
W (mm)	125	125	125	160	160	180
Weight (kg)	3.0	4.8	7.9	11.0	16.8	25.2

Learn more Valve products on <http://www.yaovalve.com>

Copyright:Shanghai Yao Valve Co., Ltd.